

The 2610 AUTO-EQUALIZER™ is LCN's pneumatically powered MULTI-DOOR solution. This low-energy power operator provides easy access for people with disabilities, the elderly, or the frail. Designed primarily for manual opening applications that occasionally require automatic opening.

- ▶ Ideal for multi-door applications since cost per door leaf decrease significantly as the number of door leaves increases.
- ▶ Standard 2610 series closer shipped with single lever (standard) arm, mounting/finish plate, standard track and wood and machine screw pack. See 2610 Series page 169 for options.
- ▶ Meets ADA requirements.
- ▶ Sized cylinders for interior doors to 4'0" and exterior doors to 3'0".
- ▶ Handed for right or left swinging doors.
- ▶ Requires additional system components. See CONTROL BOX pages 184-186 and ACTUATORS & ACCESSORIES, pages 192-195.
- ▶ Standard or optional custom powder coated finish.
- ▶ Optional plated finish on arm, fasteners, and mounting/finish plate.

- ▶ **Multi-Door Solution**
- ▶ **Utilizes a 10 Million Cycle Heavy Duty Door Closer**
- ▶ **Quiet, Efficient & Reliable**
- ▶ **Requires Control Boxes with integral compressor or control box using auxiliary air supply.**
- ▶ **No Guard Rails/Safety Mats Required**

The 2610 Series is UL listed with standard arm for self-closing doors and meets the provisions of ANSI Standard A117.1, A156.19 and the Americans with Disabilities Act.

MOUNTING				FINISH		COVER		CYLINDER			*ARM FUNCTION							
TOP JAMB (PULL SIDE)	TOP JAMB (PUSH SIDE)	PARALLEL ARM	CONCEALED	POWDER COAT	PLATED	PLASTIC	METAL	NON-HANDED	NON-SIZED	ACCESSIBILITY*	POWER OPERATOR	HOLD-OPEN	90°	STANDARD (SINGLE)	REGULAR (DOUBLE)	EXTRA DUTY ARM	CUSH-N-STOP	SPRING CUSH
○	○	○	●	●	●	○	●	○	○	♿	●	○	○	○	○	○	○	○

- AVAILABLE
- NOT AVAILABLE

♿ Closer available with less than 5.0 lbs. opening force on 36" door.
* See individual series for maximum manual opening.

LCN 2610 SERIES

MOUNTING DETAILS

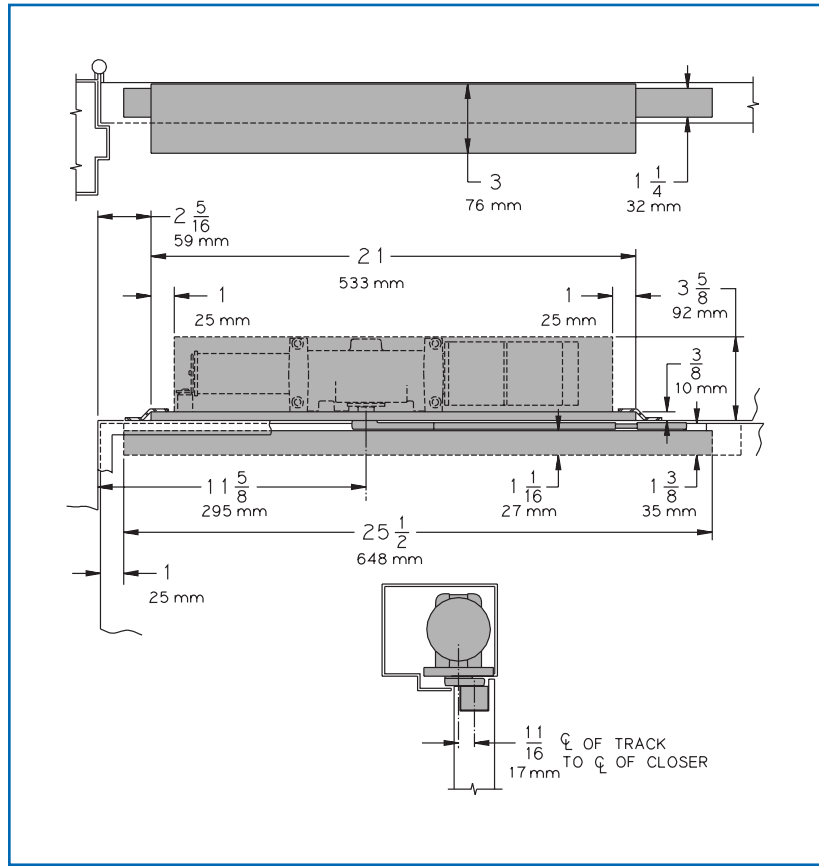
CONCEALED MOUNTING

For interior or exterior doors.
Single acting cylinder in head frame.
Concealed arm and track in door
top rail.

MAXIMUM OPENING

Butt hinge template allows 90° power
opening and 160° manual opening.

**Consult factory for all pivot
mounted installations.**



- ▶ **Butt Hinges** should not exceed 5" (127 mm) in width.
- ▶ **Auxiliary Stop is recommended.**
- ▶ **Head Frame** minimum 4" (102 mm) x 4" for hollow metal or aluminum tube construction.
- ▶ **Top Rail** 1 3/8" (35 mm) mortise required.
5/16" (8 mm) cutout required at top of the door, push side only.
- ▶ **System Diagram** See "POWER OPERATORS" section pages 164-165 for typical system wiring, and page 186 for electrical and pneumatic data.

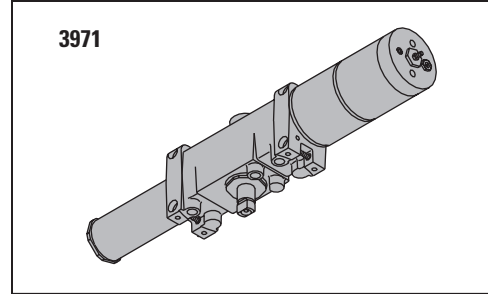
Special Templates

Customized installation templates
or products may be available to
solve unusual applications.
Contact LCN for assistance.

CYLINDERS

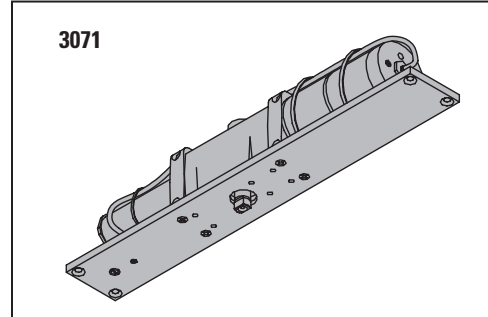
CYLINDER ONLY, 2610-3971

Standard, handed, cast iron cylinder.



CYLINDER ASSEMBLY, 2610-3071

Standard, handed, cast iron cylinder and mounting plate.

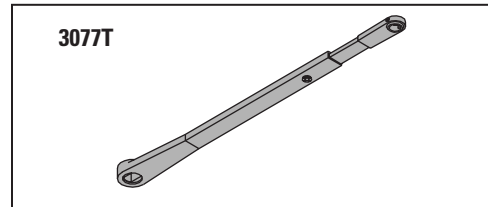


ARMS

STANDARD ARM, 2610-3077T

Handed arm.

Track roller not included with arm.

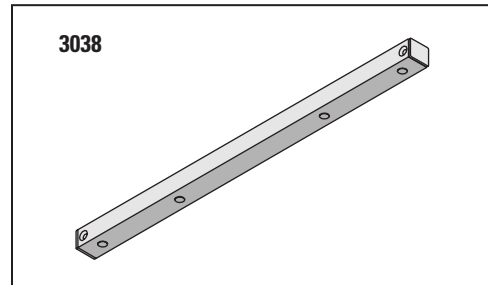


TRACK

STANDARD TRACK, 2610-3038

Standard non-handed track.

Will not accept hold-open clip or bumper assembly.

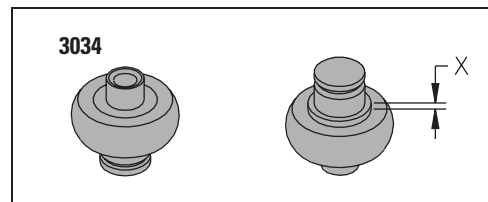


INSTALLATION ACCESSORIES

TRACK ROLLER, 2610-3034

Quiet, low friction roller assembly.

Shoulder dimension "X" = 1/16" (1 mm).



LCN 2610 SERIES

TABLE OF SIZES

Select closer based on width of door.

Sized 2610 series cylinders available in size 3 or 4.

Closing power of all 2610 Series closers may be increased 15%.

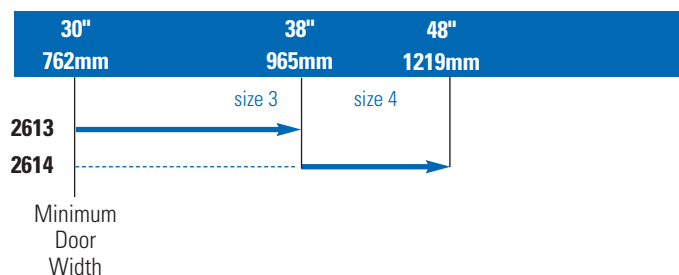
→ Indicates recommended range of door width for closer size.

NOTE: Minimum door width 30" (762 mm).

EXTERIOR (and VESTIBULE) DOOR WIDTH



INTERIOR DOOR WIDTH



HOW-TO-ORDER 2610 SERIES CLOSERS

1. SELECT CYLINDER SIZE.

- 2613
- 2614

2. SPECIFY HAND.

- RH
- LH

3. SPECIFY FINISH.

- Standard Powder Coat _____
Aluminum, Dark Bronze, Tan, Statuary,
Light Bronze, Black, Brass.

Closer will be shipped with:

- STANDARD ARM,
- TRACK ROLLER,
- STANDARD TRACK,
- WOOD and MACHINE SCREW PACK,
unless options listed below are selected.

CLOSER OPTIONS

FINISH

- Custom Powder Coat (RAL) _____
- Plated Finish, US _____

SCREW PACK

- TB*, Wood & Machine Screw (TBWMS)
- TORX Machine Screw (TORX)
- TB* & TORX Machine Screw (TBTRX)

*Specify door thickness if other than 1 3/4".

SPECIAL TEMPLATE

- ST-_____